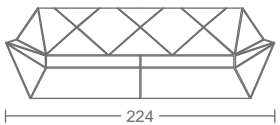
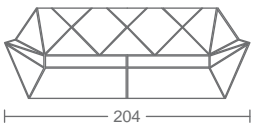
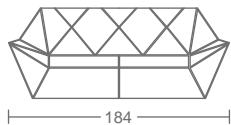
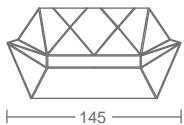
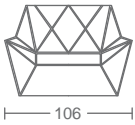
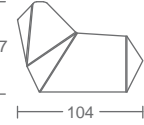


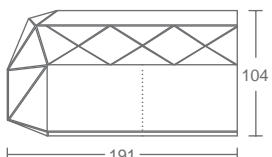
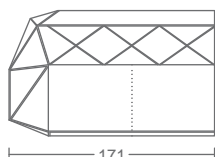
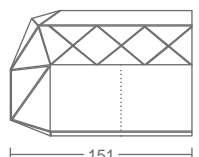
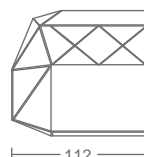
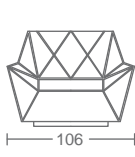
## DIAMANTE

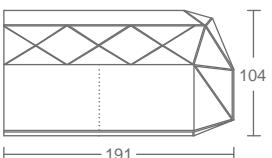
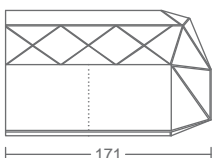
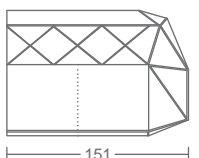
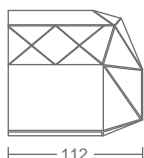
### STEP 1: SELECT SOFA MODULES

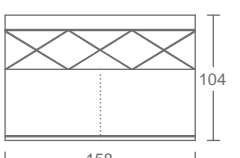
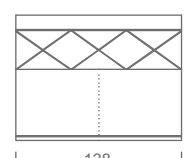
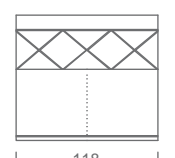
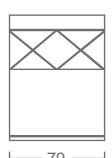
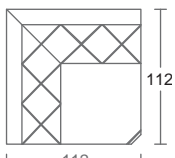
Sofas \* For custom sizes & made to measure options, please ask a sales consultant to provide prices.

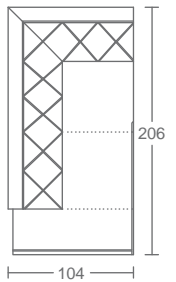
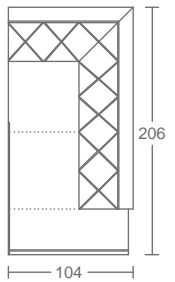
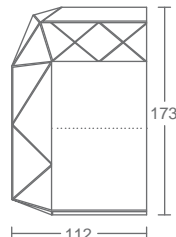
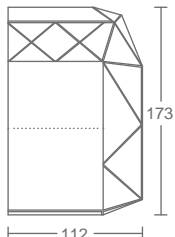
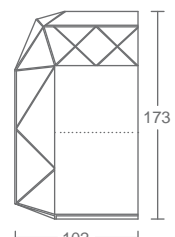
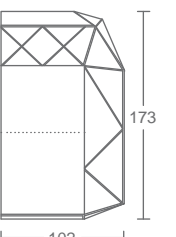
4D  224	3D  204	2.5D  184	1.5D  145	1DAC  106	 77 104
A: \$4419 C: \$5965 B: \$5082 D: \$6407	A: \$4131 C: \$5577 B: \$4751 D: \$5990	A: \$3849 C: \$5196 B: \$4426 D: \$5581	A: \$3172 C: \$4282 B: \$3647 D: \$4599	A: \$2806 C: \$3788 B: \$3227 D: \$4069	* Side elevation

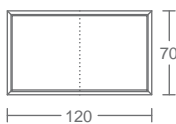

#### Modular Components:

4RA  191 104	3RA  171	2.5RA  151	1.5RA  112	1DVAC  106 79 104
A: \$3927 C: \$5301 B: \$4516 D: \$5694	A: \$3605 C: \$4867 B: \$4146 D: \$5227	A: \$3298 C: \$4453 B: \$3793 D: \$4782	A: \$2631 C: \$3552 B: \$3025 D: \$3815	A: \$3137 C: \$4236 B: \$3608 D: \$4549

4LA  191 104	3LA  171	2.5LA  151	1.5LA  112
A: \$3927 C: \$5301 B: \$4516 D: \$5694	A: \$3605 C: \$4146 B: \$4868 D: \$5227	A: \$3298 C: \$4453 B: \$3793 D: \$4782	A: \$2631 C: \$3552 B: \$3025 D: \$3815

4C  158 104	3C  138	2.5C  118	1.5C  79	CN  112 112
A: \$3313 C: \$4472 B: \$3810 D: \$4804	A: \$2996 C: \$4045 B: \$3446 D: \$4344	A: \$2679 C: \$3617 B: \$3081 D: \$3885	A: \$1968 C: \$2657 B: \$2263 D: \$2854	A: \$3006 C: \$4058 B: \$3457 D: \$4359

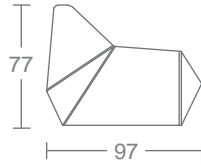
LXR  206 104	LXL  206 104	SXR  173 112	SXL  173 112	JXR  173 102	JXL  173 102
A: \$3927 C: \$5301 B: \$4516 D: \$5694		A: \$3785 C: \$5110 B: \$4353 D: \$5489		A: \$3566 C: \$4814 B: \$4101 D: \$5171	

ST2  70 120	ST2  38 70	<b>LEATHER KEY:</b>
A: \$1729 C: \$2335 B: \$1989 D: \$2508		A: corrected top grain 'Orvieto' semi-corrected top grain B: 'EuroSoft' & 'King' C: 'Marco' 'Nevicata' 'Toro' (N/A) 'Prescott' D: 'Mimosa' 'Geko' 'Mimosa Pro' 'Nubuck'

## DIAMANTE

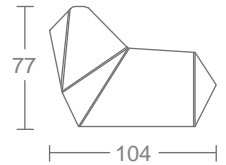
### STEP 2: SELECT SEAT BACK

Flat Back (0386)



Ideal for smaller rooms with space constraints

Diamante Back (0387) +10%



### STEP 3: SELECT CONTRASTING PATTERN

The facets of the sofa are defined by 5mm wide leather strips which are stitched in. The strips can match your leather upholstery for a subtle look, be a contrasting colour for a bold look, be a contrasting texture, or a contrasting texture and colour.

Your Leather Selection

Sofa:

Strips:



### STEP 4: FIRMNESS

Circle your seat firmness selection:

Firm (4)      Soft (5)

\*Note, if you select soft the leather may appear 'looser'.

### STEP 6: FINISHED ENDS (For non-standard finished ends)

How many ends do you need finished?    1    2

Additional Charge: \$

Your sales consultant will calculate this for you

### STEP 7: FINALISE DESIGN

Sketch selection:

1. Selected item codes:

2. Seat back selection:

3. Body leather selection (range/name/code):

Contrasting leather selection (range/name/code):

4. Firmness selection:

Price:

Additional Charges:

Total:

I agree that the selected options on this order form are correct.

Sign: